

TONGUE VE GROOVE FLANŞLARA UYGUN CONTA ÖLÇÜ TABLOLARI

DIN 2691 STANDARDI CONTA ÖLÇÜ TABLOSU

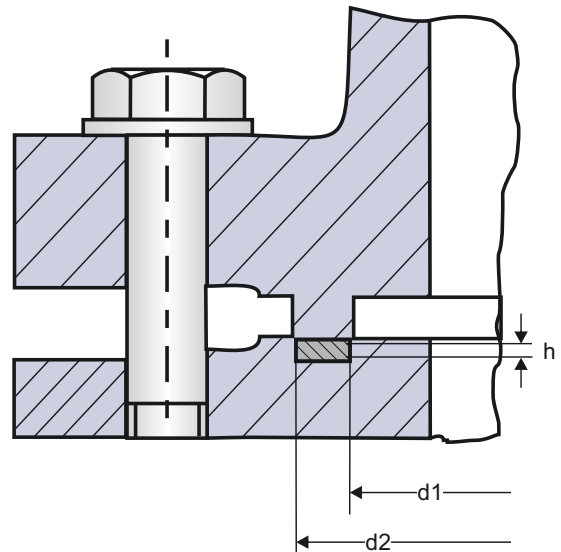
NOMİNAL ÇAP DN	PN 10 - PN 160		
	d1	d2	h
4	20	30	10
6	20	30	10
8	22	32	10
10	24	34	10
15	29	39	10
20	36	50	10
25	43	57	10
32	51	65	10
40	61	75	10
50	73	87	10
65	95	109	10
80	106	120	10
100	129	149	12
125	155	175	12
150	183	203	12
175	213	233	12
200	239	259	12
250	292	312	12
300	343	363	12
350	395	421	14
400	447	473	14
500	549	575	14
600	649	575	14
700	751	777	14
800	856	882	14
900	961	987	14
1000	1062	1092	16

Ölçüler mm

ANSI B 16.21 STANDARDI CONTA ÖLÇÜ TABLOSU

NOMİNAL ÇAP (inches)	150 lb - 1500 lb		
	d1	d2 narrow	d2 wide
1/2"	25	35	35
3/4"	33	43	43
1"	38	48	51
1.1/4"	47	57	64
1.1/2"	54	64	73
2"	73	83	92
2.1/2"	86	95	105
3"	108	118	127
3.1/2"	120	130	140
4"	132	145	157
5"	160	173	186
6"	190	203	216
8"	238	254	270
10"	286	305	324
12"	343	362	381
14"	374	394	413
16"	425	448	470
18"	489	511	533
20"	533	559	584
24"	641	667	692

Ölçüler mm



MALE VE FEMALE FLANŞLARA UYGUN CONTA ÖLÇÜ TABLOLARI

DIN 2692 STANDARDI CONTA ÖLÇÜ TABLOSU

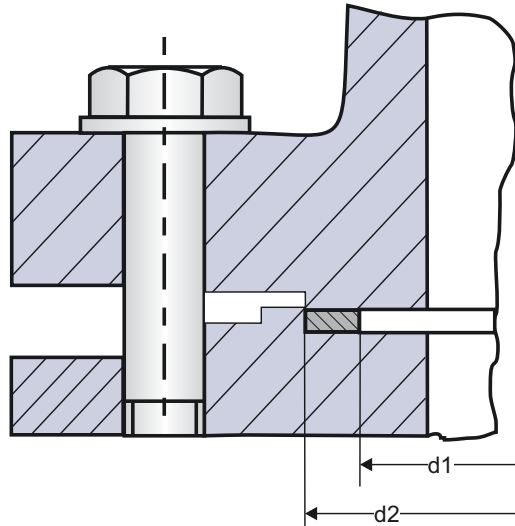
NOMİNAL ÇAP DN	PN 10 - PN 100	
	d1	d2
10	18	34
15	22	39
20	28	50
25	35	57
32	43	65
40	49	75
50	61	87
65	77	109
80	90	120
100	115	149
125	141	175
150	169	203
175	195	233
200	220	259
250	274	312
300	325	363
350	368	421
400	420	473
500	520	575
600	620	675
700	720	777
800	820	882
900	920	982
1000	1020	1091

Ölçüler mm

ASME B 16.21 STANDARDI CONTA ÖLÇÜ TABLOSU

NOMİNAL ÇAP (inches)	NARROW		WIDE	
	d1	d2	d1	d2
1/2"		18	21	35
3/4"		24	27	43
1"		30	33	51
1.1/4"		38	42	64
1.1/2"		44	48	73
2"		57	60	92
2.1/2"		68	73	105
3"		84	89	127
3.1/2"		97	102	140
4"		110	114	157
5"		137	141	186
6"		162	168	216
8"		213	219	270
10"		267	273	324
12"		318	324	381
14"		349	356	413
16"		400	406	470
18"		451	457	533
20"		502	508	584
24"		603	610	692

Ölçüler mm



ASME B.5 FLANŞLARA UYGUN CİVATA ÖLÇÜ TABLOSU

150 lb FLANŞ			300 lb FLANŞ		
NOMİNAL ÇAP (inches)	DELİK SAYISI	CİVATA BOYU	NOMİNAL ÇAP (inches)	DELİK SAYISI	CİVATA BOYU
1/2"	4	1/2" x 1.1/2"	1/2"	4	1/2" x 3"
3/4"	4	1/2" x 2"	3/4"	4	5/8" x 3.1/2"
1"	4	1/2" x 2"	1"	4	5/8" x 3.1/2"
1.1/2"	4	1/2" x 2.1/2"	1.1/2"	4	3/4" x 4"
2"	4	5/8" x 3"	2"	8	5/8" x 4"
3"	4	5/8" x 3"	3"	8	3/4" x 5"
4"	8	5/8" x 3"	4"	8	3/4" x 5"
6"	8	3/4" x 3.1/2"	6"	12	3/4" x 5.1/2"
8"	8	3/4" x 3.1/2"	8"	12	7/8" x 6"
10"	12	7/8" x 4"	10"	16	1" x 7"
12"	12	7/8" x 4"	12"	16	1.1/8" x 7"
14"	12	1" x 4.1/4"	14"	20	1.1/8" x 8"
16"	16	1" x 4.1/2"	16"	20	1.1/4" x 8"
18"	16	1.1/8" x 5.1/4"	18"	24	1.1/4" x 8"
20"	20	1.1/8" x 5.1/4"	20"	24	1.1/4" x 9"
22"	20	1.1/4" x 5.1/2"	22"	24	1.1/2" x 8.3/4"
24"	20	1.1/4" x 5.3/4"	24"	24	1.1/2" x 10"

ASME B.5 FLANŞLARA UYGUN SAPLAMA ÖLÇÜ TABLOSU

150 lb FLANŞ			300 lb FLANŞ		
NOMİNAL ÇAP (inches)	DELİK SAYISI	CİVATA BOYU	NOMİNAL ÇAP (inches)	DELİK SAYISI	CİVATA BOYU
1/2"	4	1/2" x 3"	1/2"	4	3/4" X x 4.1/4"
3/4"	4	5/8" x 3.1/2"	3/4"	4	3/4" x 4.1/2"
1"	4	5/8" x 3.1/2"	1"	4	7/8" x 5"
1.1/2"	4	3/4" x 4"	1.1/2"	4	1" x 5.1/2"
2"	8	5/8" x 4.1/2"	2"	8	7/8" x 6"
3"	8	3/4" x 5"	3"	8	7/8" x 6"
4"	8	7/8" x 6"	4"	8	1.1/8" x 7"
6"	12	1" x 7"	6"	12	1.1/8" x 8"
8"	12	1.1/8" x 8"	8"	12	1.3/8" x 9.1/4"
10"	16	1.1/4" x 9"	10"	16	1.3/8" x 9.1/4"
12"	20	1.1/4" x 9"	12"	20	1.3/8" x 10"
14"	20	1.3/8" x 9.1/4"	14"	20	1.1/2" x 10.3/4"
16"	20	1.1/2" x 10"	16"	20	1.5/8" x 11"
18"	20	1.5/8" x 10.3/4"	18"	20	1.7/8" x 13"
20"	24	1.5/8" x 11.1/2"	20"	20	2" x 13.3/4"
24"	24	1.5/8" x 13"	24"	20	2.1/2" x 17.1/4"